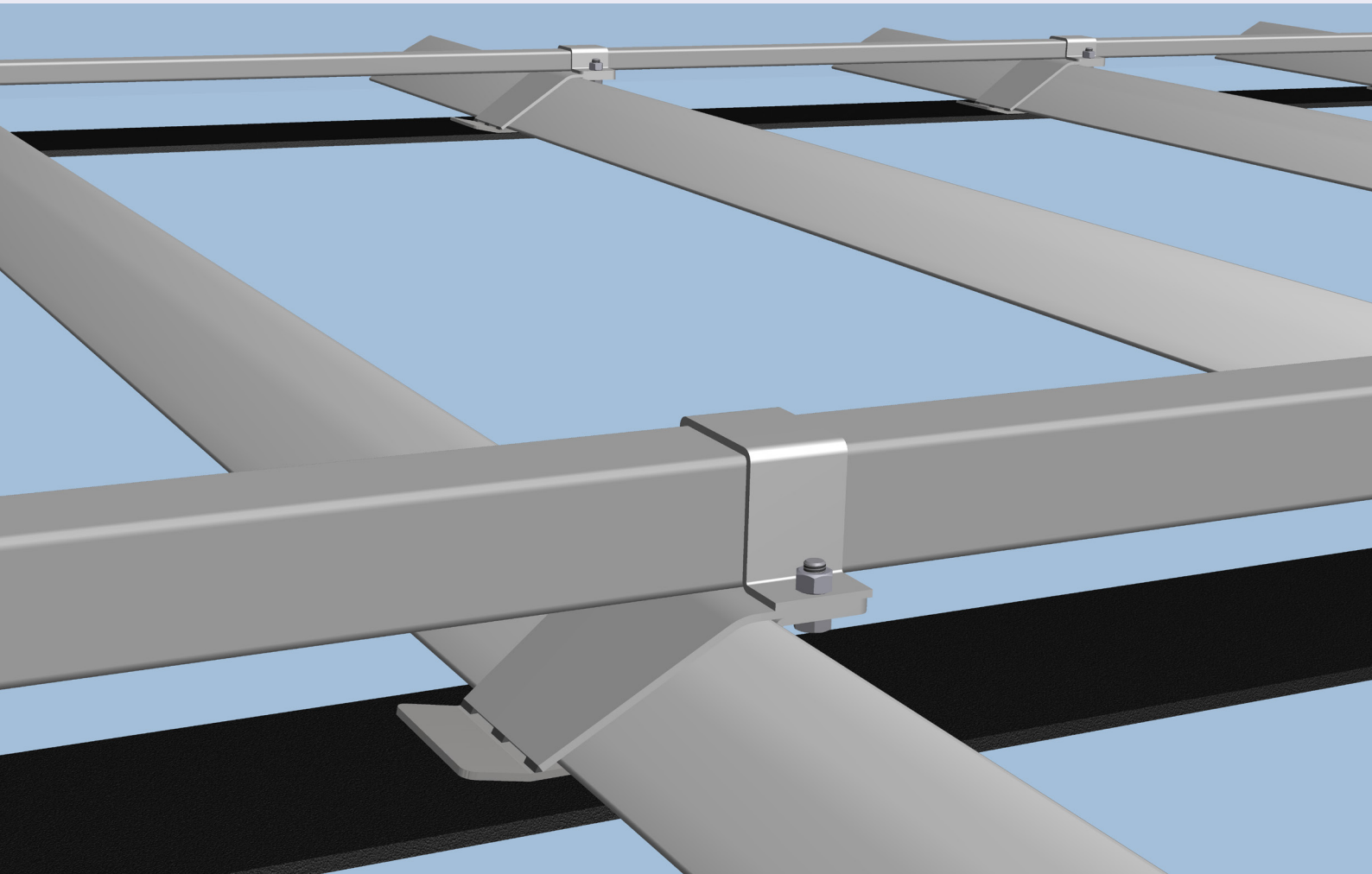


## Z2000B

### Non-welded Bottom Sludge Scraper



#### Main areas of use and features

- No welding equipment needed
- Low maintenance
- Continuous sludge removal
- No interruption of the sedimentation process
- Reliable
- Easy to adapt for use in existing tanks
- Acts as a thickener
- Scrapes the entire bottom

# Z2000B BOTTOM SLUDGE SCRAPER B

## Easy installation – no on site welding

The Z2000B is a version of the renowned Zickert Z2000 Bottom Sludge Scraper which requires no on-site welding. This version is an answer to the demand for a scraper which is even easier to install but without compromising the advantages of the Z2000, such as:

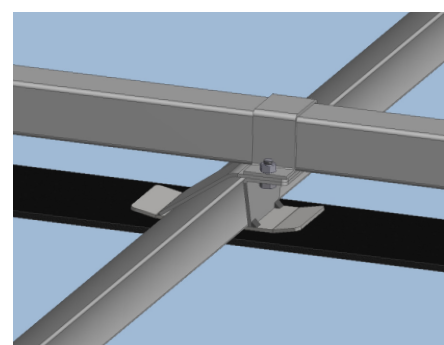
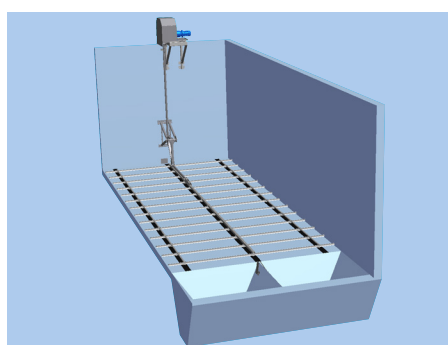
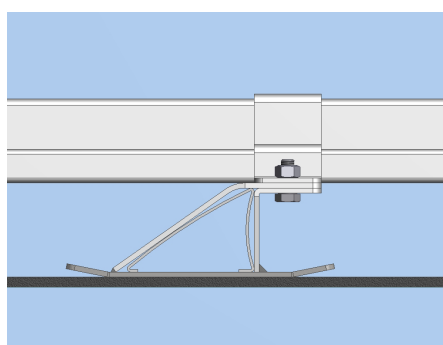
- efficient sludge thickening effect
- low need for maintenance

which has resulted in successful installations all over the world.

## Slick design

The original Zickert scraper blade is, in this version, connected to a stainless steel grid by square pipes and the new design blade attachments with bolted joints. This design allows for installation without welding. Just as for the original Z2000, the bottom section of the scraper consists of very few moving parts, ensuring easy installation and little maintenance.

Whatever the reason not to weld – sensitive environment, lack of qualified personnel, lack of suitable welding equipment etc. – the Zickert Z2000B is the bottom scraper which allows easy and quick installation without compromising performance or quality.



*The new attachment allows the renowned and unique Zickert scraper blade to be attached with a bolted joint instead of being welded. This is a smart and easy solution for installations where welding is not an option.*

### TECHNICAL SPECIFICATIONS OF THE Z2000B

Application	In rectangular sedimentation tanks for wastewater treatment plants, drinking-water purification plants and industrial processes. Can also be installed under lamella packages or in flotation plants.
Type of sludge	Suitable for most types of sludge with a solids content of 0.5 to 6 percent.
Sliders	6 mm thick polyethylene (HDPE 1000).
Material quality	Stainless steel ASTM 304 L or acid-resistant steel ASTM 316 L



S1213-En-19.09